

NXR3i

Floor standing, pressure jet boiler

Manufactured to ISO quality standards using tried and tested technology, NXR3i cast iron sectional, pressure jet, floor standing boilers are exceptionally robust and reliable. Suitable for use with oil, kerosene, natural gas, LPG and dual fuel options, all models feature a specially designed heat exchanger, which provides efficiencies that meet the requirements of the latest Building Regulations for both mains gas and off-gas applications.



Features

Fully integrated control system

Boiler body suitable for use with oil, natural gas, LPG, kerosene and dual fuel burner options

Range of kW outputs available from 100kW up to 330kW

Benefits

Ensures optimum performance is maintained

For flexible siting / mains gas and off-gas applications

Assists energy efficiency by matching the boiler performance to building heating requirements

Wood Lane
Erdington
Birmingham
B24 9QP

sales 0345 070 1055
technical 0345 070 1057
web pottertoncommercial.co.uk



Specification

Performance	Fuel Type		NXR3i-4	NXR3i-5	NXR3i-6	NXR3i-7	NXR3i-8	NXR3i-9
Output @ 80 / 60°C	NG	kW	100	140	180	230	280	330
Input (Net) Maximum	NG	kW	116.7	156.3	199.1	252.8	308.8	361.3
Output @ 80 / 60°C	Oil	kW	100	140	180	230	280	330
Input (Net) Maximum	Oil	kW	116.7	156.3	199.1	252.8	308.8	361.3

Efficiency	Value %		NXR3i-4	NXR3i-5	NXR3i-6	NXR3i-7	NXR3i-8	NXR3i-9
Seasonal efficiency gas	% Gross		83	82	82	82	82	83
Seasonal efficiency Oil	% Gross		84	84	84	85	85	85

Fuel		NXR3i-4	NXR3i-5	NXR3i-6	NXR3i-7	NXR3i-8	NXR3i-9
Gas Consumption (Natural Gas)	m³/h	12.1	16.2	20.6	26.3	32.1	37.5
Oil Consumption (Heating Oil 35-sec)	Kg/h	12.3	16.3	20.8	26.5	32.4	37.8
Inlet Gas Pressure (Natural Gas-G20)	m/bar	Dependent on Burner					
Inlet Oil Pressure	m/bar	Dependent on Burner					
Fuel Connection Size	inch	Dependent on Burner					

Flue		NXR3i-4	NXR3i-5	NXR3i-6	NXR3i-7	NXR3i-8	NXR3i-9
Flue Gas Volume - NG	kg/h	187	250	321	410	499	588
Flue Gas Volume - Oil	kg/h	178	238	306	391	475	560
Max Flue Gas Pressure @ Outlet	m/bar	0*					
Flue Gas Temperature	°C	210					

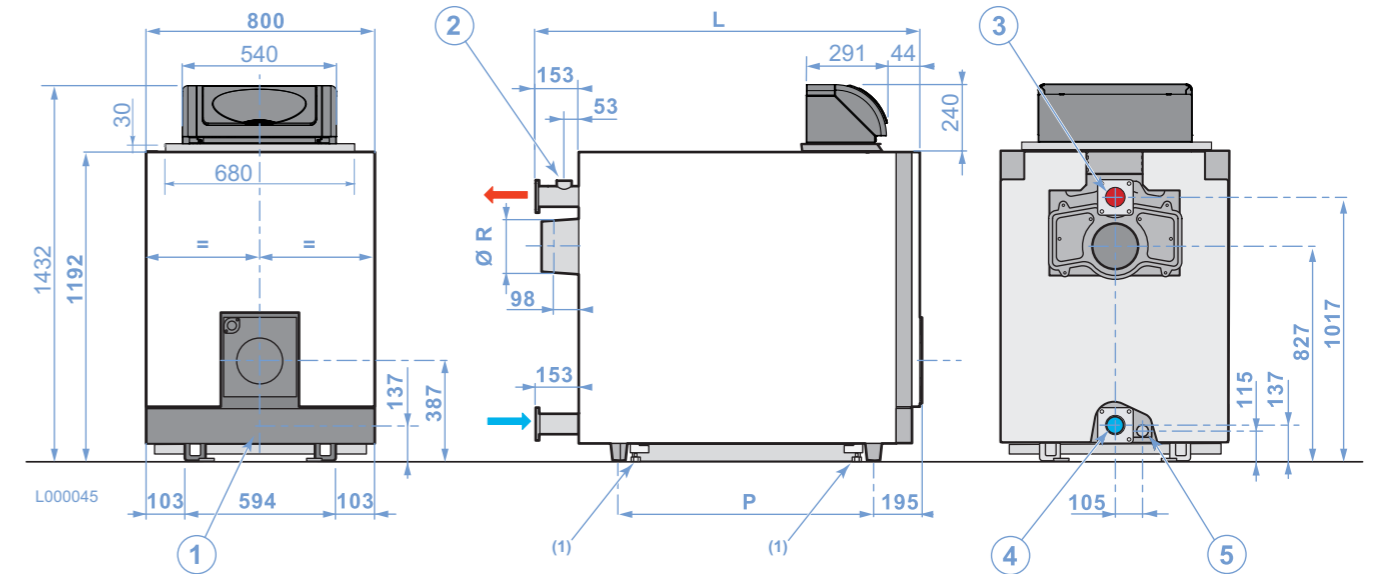
Hydraulic		NXR3i-4	NXR3i-5	NXR3i-6	NXR3i-7	NXR3i-8	NXR3i-9
Water Flow Rate @ 11°C ΔT	m³/hr	9.03	12.04	15.48	19.78	24.08	28.37
Water Flow Rate @ 20°C ΔT	m³/hr	4.51	6.02	7.74	9.89	12.04	14.19
Hydraulic Resistance @ 11°C ΔT	mbar	11	18	31	46	68	105
Hydraulic Resistance @ 20°C ΔT	mbar	2.6	4.2	8	11	17	26
Water Content	litres	96	116	136	156	176	196
Flow & Return Connection Size	inch	2½	2½	2½	2½	2½	2½
Flow & Return Connection Type		Welded					
Flue Connection Size	mm	180ø			200ø		
Max Boiler Operating Pressure	bar	6					
Min Boiler Operating Pressure	bar	1					
Maximum Flow Temperature	°C	85					

General		NXR3i-4	NXR3i-5	NXR3i-6	NXR3i-7	NXR3i-8	NXR3i-9
Appliance Dry Weight	Kg	612	736	846	981	1103	1230
NOx Level (Dry @ 0% O2)	mg/kWh	Dependent on Burner					
CO ₂ Content – Natural Gas	%	9.5					
CO ₂ Content – Oil	%	13					
Noise Levels @ 1 metre from unit	dB(A)	Dependent on Burner					
High Level Ventilation* (BS 6644)	cm²	234	312	398	506	618	722
Low Level Ventilation* (BS 6644)	cm²	468	624	796	1012	1236	1444

Electrical		
Power consumption	W	2 amp max burner - refer to manufacturer for burner details. 1 amp 230 volt 50hz max pump control output
Nominal supply voltage	V / Hz	230 v 1 Ph 50 Hz

* The pressure at the flue outlet must not exceed 0 mbar

Dimensions



- 1 Sludge Removal Hole Rp 2½" (Plugged)
- 2 Rp 1½" Socket for the Safety Control Unit
- 3 Heating Flow (Flange + Counter Flange with Collar to be Welded) Orifice Ø 2½"
- 4 Heating Return (Flange + Counter Flange with Collar to be Welded) Orifice Ø 2½"
- 5 Rp 1½" Draining Outlet (Plugged) Tapped Connection
- (1) Adjustable Feet: Basic Dimension 0mm, Adjustment Possible: 0 to 40mm

		NXR3i-4	NXR3i-5	NXR3i-6	NXR3i-7	NXR3i-8	NXR3i-9
Width	mm	800	800	800	800	800	800
Depth	mm	991	1151	1311	1471	1631	1791
Height (Excluding Burner)	mm	1432	1432	1432	1432	1432	1432
Overall Length L	mm	991	1151	1311	1471	1631	1791
Base Length P	mm	490	650	810	970	1130	1290
Flue R	mm	180	180	180	200	200	200
Section Dimension	mm	Front – 1070 x 620 x 170		Inter – 990 x 600 x 165		Rear – 1070 x 600 x 190	