

NXR4i

Floor Standing Cast Iron Section Pressure Jet Boiler
357 to 729kW Output



Working towards
a cleaner future

POTTERTON
COMMERCIAL
heating specialists

NXR4i

Floor Standing Cast Iron Section Pressure Jet Boiler
357 to 729kW Output

The Potterton Commercial NXR4i range of cast-iron forced draught boilers represent the latest development of this type of technology. This is due to the reliability of the proven heat-exchanger design, burner matching options and is backed by the extended warranty*.

Standard NXR4i Features

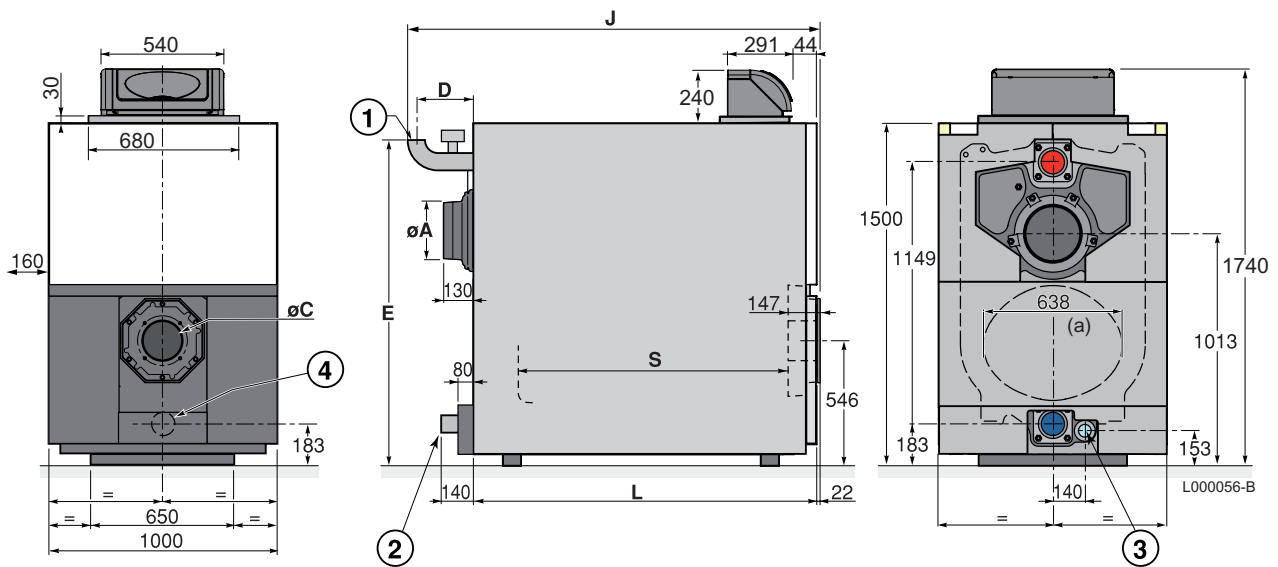
- Cast iron sectional design
- Exceptionally robust
- Versatile fuel options
- Integrated control panel
- 10 year warranty*
- Optional controllers available
- Commissioning & erection services available.

The NXR4i range offers both the specifier and end user peace of mind. The output kW ratio offers flexibility in boiler house installations to meet the needs of the modern building services engineer.

The NXR4i boiler provides everything today's professional energy managers look for in an advanced boiler. With its specially designed heat-exchanger which incorporates multiple flue-ways and fins to increase the surface area, it means that the NXR4i provides high seasonal boiler efficiencies in line with Part L2 of the Building Regulations 2010. The large chamber capacity ensures environmentally sound combustion, reducing CO and NO_x emissions. With a choice of matched burners available on Natural Gas, LPG, Oil and Dual Fuel options, the NXR4i range is a winner.

* terms and conditions apply





- Mk Tapped connection
- ① Heating flow - weld
- ② Heating return - weld
- ③ Rp 2" draining outlet
- ④ Sludge removal hole Rp 2" 1/2 - plugged

- (a) Inscribed diameter (in mm):
 - Front section: 455
 - Intermediate section: 530
- Equivalent diameter (in mm): 573

Boiler Type	NXR4i-8	NXR4i-9	NXR4i-10	NXR4i-11	NXR4i-12	NXR4i-13	NXR4i-14
Ø A (exterior)	250	250	250	300	300	300	300
Ø ① ②	2½"	2½"	2½"	3"	3"	3"	3"
Ø C	Intact or pre-drilled plate (available in spare parts list)						
D	235	23	235	254	254	254	254
E	1427	1427	1427	1447	1447	1447	1447
J	1800	1950	2120	2305	2465	2625	2785
L	1505	1665	1825	1985	2145	2305	2465
S	1183	1343	1503	1663	1923	1983	2143

Range Benefits

- Cast iron sectional boiler
- Seasonal Efficiency (Part L2-2010)
Gas – 82% Oil – 85%
- Oil, Natural Gas, LPG and Dual Fuel Option
- High/Low, On/Off and Fully Modulating match tested burners
- Integrated control panel including: VFCs, high limit thermostat, control thermostat, boiler thermometer and external BEMS interlock.

Optional controls available

- Flue gas thermometer, hours run meters
- 10 year extended warranty on the heat exchanger*
- Optional controllers available
- Erection and commissioning services

* terms and conditions apply

Specification

Model Reference		NXR4i-8	NXR4i-9	NXR4i-10	NXR4i-11	NXR4i-12	NXR4i-13	NXR4i-14
Number of Sections		8	9	10	11	12	13	14
Output 80 / 60°C Min – Max (NG)	kW	357	419	481	543	605	667	729
Input (Gross)	kW	394	462	530	597	666	731	798
Efficiency @ 80 / 60°C (NG)	%	82.15	82.09	82.06	82.38	82.22	82.71	82.65
Efficiency @ 80 / 60°C (oil)	%	84.68	84.76	84.88	85.0	84.9	85.28	85.38
Gas Consumption (NG)	m ³ /h	45.8	52.9	63.5	70.5	78.7	84.6	91.7
Gas Consumption (Oil)	Kg/hr	37.6	43.3	52.0	57.8	64.5	93.3	75.1
Inlet Gas Pressure	mbar	*						
Flue Gas Volume – Gas	Kg/h	700	810	972	1080	1207	1297	1405
Flue Gas Volume – Oil	Kg/h	650	750	900	1000	1116	1200	1450
Max Flue Gas Pressure @ Outlet	mbar	0						
Min Flue Gas Pressure @ Outlet	mbar	-0.05						
Water Flow Rate @ 11°C ΔT	m ³ /h	27.93	32.78	37.63	42.48	47.33	52.18	57.03
Water Flow Rate @ 20°C ΔT	m ³ /h	15.36	18.03	20.7	23.36	26.03	28.7	31.37
Hydraulic Resistance @ 11°C ΔT	mbar	21	34	52	69	87	112	140
Hydraulic Resistance @ 20°C ΔT	mbar	6	10	16	21	26	34	42
Water Content	Litres	366	409	452	495	538	581	624
Dry Weight	kg	1802	2072	2238	2454	2638	2880	3057
Section Weight	kg	Front – 154, Rear – 231, Inters – 185 Special Inter – 194						
Max Operating Pressure	bar	6 bar						
Min Operating Pressure	bar	1 bar						
Maximum Flow Temperature	°C	85						
NO _x Level (Dry @ 0% O ₂)*	mg/kWh	*						
High Level Ventilation* (BS 6644)	cm ²	788	924	1060	1194	1332	1462	1596
Low Level Ventilation* (BS 6644)	cm ²	1576	1848	2120	2388	2664	2924	3192
Dimension W x D x H (exc burner)	mm	1000 x 1800 x 1500	1000 x 1950 x 1500	1000 x 2120 x 1500	1000 x 2305 x 1500	1000 x 2465 x 1500	1000 x 2625 x 1500	1000 x 2785 x 1500
Flow & Return Connection Size	mm	2½"	2½"	2½"	3"	3"	3"	3"
Flow & Return Connection Type		Weld – Screwed Optional accessory						
Gas Connection Size – Nominal*	inch	2"						
Gas Connection Type		Threaded or flanged depending on size						
Flue Connection Size	mm	250	250	250	300	300	300	300
CO ₂ Content – Natural Gas	%	9.5						
CO ₂ Content – Oil	%	13						
Flue Gas Temperatures @ 80/60°C	°C	<220						
Electrical Connection	V/Hz	*						
Power Consumption	W	*						

* Burner Dependant, please contact the burner manufacturer