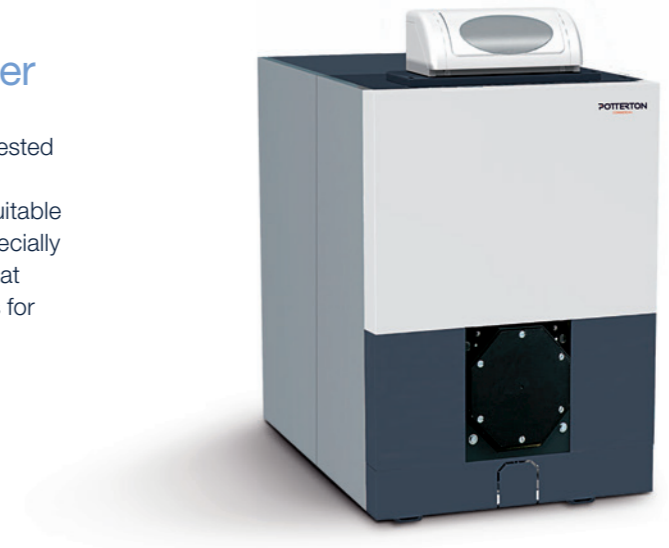


# NXR4i

## Floor standing, pressure jet boiler

Manufactured to ISO quality standards using tried and tested technology, NXR4i cast iron sectional, pressure jet, floor standing boilers are exceptionally robust and reliable. Suitable for use with gas, oil or kerosene, all models feature a specially designed heat exchanger, which provides efficiencies that meet the requirements of the latest Building Regulations for both mains gas and off-gas applications.



### Features

Fully integrated control system

Boiler body suitable for use with oil, natural gas, LPG, kerosene and dual fuel burner options

Range of kW outputs available, from 357kW up to 729kW

### Benefits

Ensures optimum performance is maintained

For flexible siting / mains gas and off-gas applications

Assists in achieving energy efficiency by matching the boiler performance to the building heating requirements

Wood Lane  
Erdington  
Birmingham  
B24 9QP

sales 0345 070 1055  
technical 0345 070 1057  
web [pottertoncommercial.co.uk](http://pottertoncommercial.co.uk)



part of **BAXI**  
COMMERCIAL

## Specification

Performance	Fuel Type		NXR4i-8	NXR4i-9	NXR4i-10	NXR4i-11	NXR4i-12	NXR4i-13	NXR4i-14
Output @ 80 / 60°C	NG	kW	357	419	481	543	605	667	729
Input (Net) Maximum	NG	kW	394	462	530	597	666	731	798
Output @ 80 / 60°C	Oil	kW	357	419	481	543	605	667	729
Input (Net) Maximum	Oil	kW	394	462	530	597	666	731	798

Efficiency	Value %		NXR4i-8	NXR4i-9	NXR4i-10	NXR4i-11	NXR4i-12	NXR4i-13	NXR4i-14
Seasonal efficiency gas	% Gross		82	82	82	82	82	83	83
Seasonal efficiency oil	% Gross		85	85	85	85	85	85	85

Fuel		NXR4i-8	NXR4i-9	NXR4i-10	NXR4i-11	NXR4i-12	NXR4i-13	NXR4i-14
Gas Consumption (Natural Gas)	m <sup>3</sup> /h	41.2	48.4	55.5	62.5	69.7	76.5	83.6
Oil Consumption (Oil - 35 sec)	Kg/h	35.6	41.8	47.9	54	60.2	66.1	72.2
Inlet Gas Pressure (Natural Gas-G20)	m/bar	Dependent on Burner						
Gas Connection Size	inch	Dependent on Burner						
Fuel Connection Type		Dependent on Burner						

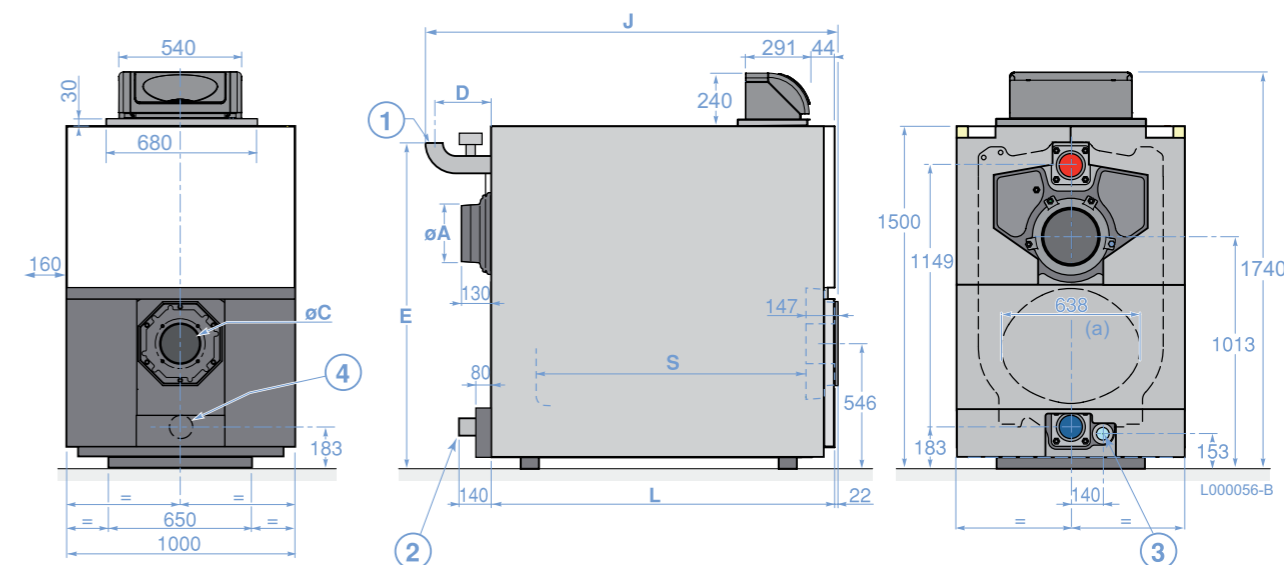
Flue		NXR4i-8	NXR4i-9	NXR4i-10	NXR4i-11	NXR4i-12	NXR4i-13	NXR4i-14
Flue Gas Volume - Natural Gas	kg/h	630	740	850	960	1070	1170	1280
Flue Gas Volume - Oil (35 sec)	kg/h	600	710	810	910	1020	1120	1220
Flue Gas Temperature	°C	<190						
Max Flue Gas Pressure @ Outlet	m/bar	0						

Hydraulic		NXR4i-8	NXR4i-9	NXR4i-10	NXR4i-11	NXR4i-12	NXR4i-13	NXR4i-14
Water Flow Rate @ 11°C ΔT	m <sup>3</sup> /h	27.9	32.8	37.6	42.5	47.3	52.2	57
Water Flow Rate @ 20°C ΔT	m <sup>3</sup> /h	15.4	18	20.7	23.4	26	28.7	31.4
Hydraulic Resistance @ 11°C ΔT	mbar	21	34	52	69	87	112	140
Hydraulic Resistance @ 20°C ΔT	mbar	6	10	16	21	26	34	42
Water Content	litres	366	409	452	495	538	581	624
Flow & Return Connection Size	inch	2½	2½	2½	3	3	3	3
Flow & Return Connection Type		Welded						
Flue Connection Size	mm	250	250	250	300	300	300	300
Max Boiler Operating Pressure	bar	6						
Min Boiler Operating Pressure	bar	1						
Maximum Flow Temperature	°C	85						

General		NXR4i-8	NXR4i-9	NXR4i-10	NXR4i-11	NXR4i-12	NXR4i-13	NXR4i-14
Appliance Dry Weight	Kg	1802	2072	2238	2454	2638	2880	3057
NOx Level (Dry @ 0% O2)	mg/kWh	Dependent on Burner						
CO2 Content – Natural Gas	%	9.5						
CO2 Content – Oil	%	13						
Noise Levels @ 1 metre from unit	dB(A)	Dependent on Burner						
High Level Ventilation* (BS 6644)	cm <sup>2</sup>	788	924	1060	1194	1332	1462	1596
Low Level Ventilation* (BS 6644)	cm <sup>2</sup>	1576	1848	2120	2388	2664	2924	3192

Electrical		NXR4i-8	NXR4i-9	NXR4i-10	NXR4i-11	NXR4i-12	NXR4i-13	NXR4i-14
Power consumption	W	Dependent on Burner						
Nominal supply voltage	V / Hz	230 v 1 Ph 50 Hz						

## Dimensions



- Mk Tapped connection
- ① Heating flow - weld
  - ② Heating return - weld
  - ③ Rp 2" draining outlet
  - ④ Sludge removal hole Rp 2" 1/2 - plugged

- (a) Inscribed diameter (in mm):
- Front section: 455
  - Intermediate section: 530
- Equivalent diameter (in mm): 573

		NXR4i-8	NXR4i-9	NXR4i-10	NXR4i-11	NXR4i-12	NXR4i-13	NXR4i-14
Width	mm	1000	1000	1000	1000	1000	1000	1000
Depth	mm	1800	1950	2120	2305	2465	2625	2785
Height	mm	1500	1500	1500	1500	1500	1500	1500
(Excluding Burner)								
Ø A (exterior)	mm	250	250	250	300	300	300	300
Ø ① ②	inch	2½	2½	2½	3	3	3	3
Ø C		Intact or pre-drilled plate (available in spare parts list)						
D	mm	235	23	235	254	254	254	254
E	mm	1427	1427	1427	1447	1447	1447	1447
J	mm	1800	1950	2120	2305	2465	2625	2785
L	mm	1505	1665	1825	1985	2145	2305	2465
S	mm	1183	1343	1503	1663	1923	1983	2143